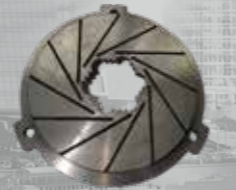




SUBMERSIBLE CUTTER PUMP

LEOPARD

SERIES 60HZ



Suction Plate with radial solid relief groove EN-GJS-700



LEOPARD Impeller EN-GJL-200 with Tungsten Edge(89 HRA)

Features

- Non clog operation with cutting action
- Robust construction
- EKK Eagle Burgmann double mechanical seal CA/CE & SIC/SIC
- Built-in motor protection
- Tungsten Edge hardness is 89HRA
- Volute 4 inch connection available in JIS 10K, ANSI 125/150 and DIN PN10/16
- 3HP volute connection available for 3 inch in DIN PN10/16
- Adjustable clearance construction to maintain performance

Applications

- Sewage
- Wastewater
- Storm water drainage
- Commercial building

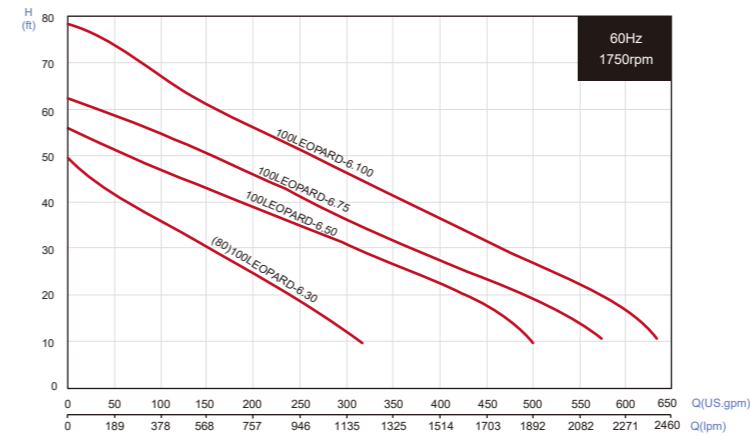
Data Chart

| Type | Output | | Discharge | F.L.A. | | | Rated | | Maximum | | Free Passage | Weight(W/O Cable) | | Q.D.C. |
|---------------------|--------|-----|-----------|---------|---------|---------|---------|----------|---------|----------|--------------|-------------------|-------|--------|
| | HP | kW | | 1ø 230V | 3ø 230V | 3ø 460V | Head FT | Cap. GPM | Head FT | Cap. GPM | | mm | 1ø-kg | |
| 80(100)LEOPARD-6.30 | 3 | 2.2 | 3"(4") | - | 9A | 4.6A | 26.2 | 185 | 49.2 | 317 | 56 | - | 75 | QL-100 |
| 100LEOPARD-6.50 | 5 | 3.7 | 4" | - | 14A | 7.2A | 36.1 | 235 | 55.8 | 502 | 80 | - | 90 | QL-100 |
| 100LEOPARD-6.75 | 7.5 | 5.5 | 4" | - | 20A | 10A | 42.6 | 235 | 62.3 | 580 | 68 | - | 140 | QL-100 |
| 100LEOPARD-6.100 | 10 | 7.5 | 4" | - | 26.6A | 13.6A | 52.5 | 235 | 78.7 | 630 | 68 | - | 166 | QL-100 |

Specifications

| | | |
|------------|--------------------|----------------------------|
| | Liquid Temperature | 0~40°C (32~104°F) |
| | Submersible depth | 10M |
| Motor Part | Frequency | 60Hz |
| | Pole | 4 Pole |
| | Type | Dry Type |
| | Insulation | Class F |
| Pump Part | Protection | IP 68 |
| | Protector | Auto-cut |
| | Bearing | Ball Type |
| | Mechanical seal | Double Mechanical Seal |
| | Impeller | Semi-open Channel Impeller |

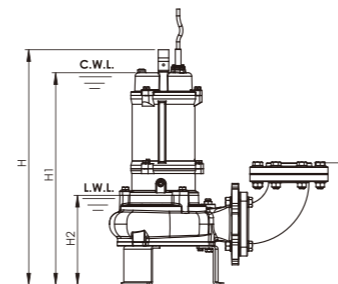
Performance Curve



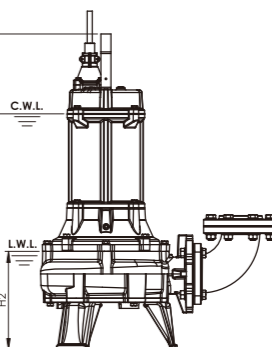
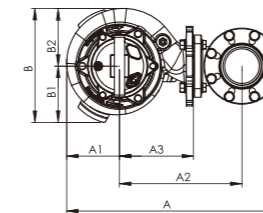
All technical information is subject to change without notice.



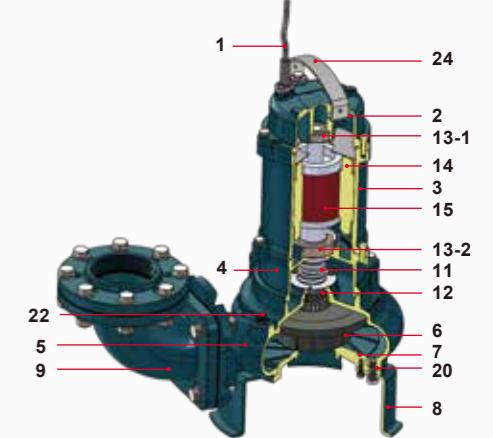
100LEOPARD-6.30~100 with QL-100 Q.D.C.



100LEOPARD-6.30~50



100LEOPARD-6.75~100



Parts and Material List

| No. | Part | Material |
|------|----------------------|--|
| 1 | Cable | H07RN-F / STOW |
| 2 | Motor Cover | ASTM A48 Class 30 |
| 3 | Motor Housing | ASTM A48 Class 30 |
| 4 | Oil Chamber | ASTM A48 Class 30 |
| 5 | Volute | ASTM A48 Class 30 |
| 6 | Impeller | ASTM A48 Class 30 |
| 7 | Suction Plate | ASTM A536 100-70-03 |
| 8 | Pump Feet | 3~5HP: SC 7.5~10HP: ASTM A48 Class 30 |
| 9 | Discharge Elbow | ASTM A48 Class 30 |
| 11 | Mechanical Seal | Upper: CA/CE Lower: SIC/SIC |
| 12 | Lip Seal | BUNA N |
| 13-1 | Upper Bearing | NTN/TPI |
| 13-2 | Lower Bearing | NTN/TPI |
| 14 | Stator | |
| 15 | Rotor with Shaft | 3HP: AISI 410 5~10HP: AISI 420 |
| 20 | Suction Plate Gasket | PE |
| 22 | Air Release Valve | PP |
| 24 | Handle | AISI 304 |

TPI is a family brand of NTN group.