

LIGHTWEIGHT SUBMERSIBLE DEWATERING PUMP

EUS
SERIES 60HZ



Features

- High abrasive resistance resin semi-open impeller and material by DuPont
- Double mechanical seal / Designed Agitator
- Auto reset thermal protector / Non air locking
- Auto version for small pit usage

Applications

- Residential, commercial, industrial dewatering and site drainage
- Decorative waterfalls and fountains
- Raw water supply from lakes or rivers
- Sediment removal from small sumps or basins
- Suitable to use in snoring mode

Data Chart

Type	Output		Discharge	F.L.A.			Rated		Maximum		Free Passage	Weight(W/O Cable)	
	HP	kW		1ø	3ø	3ø	Head	Cap.	Head	Cap.		mm	1ø-kg
50EUS-6.05	0.5	0.37	2"	3.3A	2.2A	1.1A	26	35	41	63.4	6	11.3	11.3
50EUS-6.05A	0.5	0.37	2"	3.3A	2.2A	1.1A	26	35	41	63.4	6	13.6	11.6
50(80)EUS-6.10	1	0.75	2"(3")	6A	4A	2A	33	55	60	92.5	6	13.9	13.9
50(80)EUS-6.10A	1	0.75	2"(3")	6A	4A	2A	33	55	60	92.5	6	14.2	14.2
50(80)EUS-6.20	2	1.5	2"(3")	13A	7A	3.5A	49	75	79	140	6	18.1	18.1
50(80)EUS-6.20A	2	1.5	2"(3")	13A	7A	3.5A	49	75	79	140	6	18.4	18.4

» A identifies float switch.
» All single-phase and three-phase pumps can be equipped with float switch upon request.

Specifications

Liquid Temperature	0~40°C (32~104°F)	
Submersible depth	10M	
Motor Part	Frequency	60Hz
	Pole	2 Pole
	Type	Dry Type
	Insulation	Class B
	Protection	IP 68
Pump Part	Protector	Auto-cut
	Bearing	Ball Type
	Mechanical seal	Double Mechanical Seal
	Impeller	Semi-open Impeller

KLIXON

KLIXON protector provides protection against overheating from all running and stalled rotor conditions including:

- Plugging duty
- Stalling or failure to start
- Heavy overloads
- High ambient
- Ventilation failures



KLIXON
1PH Protector (Thermal)



KLIXON
1PH Protector (optional) (overheat & overload)



KLIXON
3PH Protector (overheat, overload, phase failure)



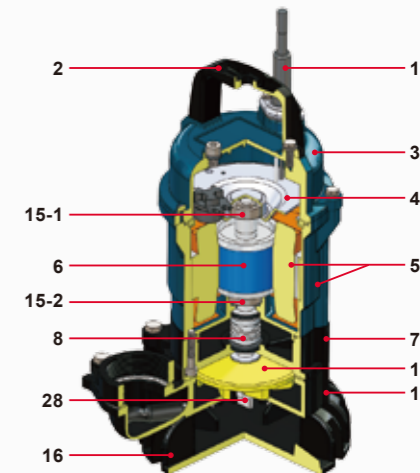
Agitator



DU PONT Hytel®
Steel coated with thermoplastic polyester elastomer



Optional Suction Plate transfer to residue dewatering pump available for 0.5HP and 1HP
» Removal of residual water down to 3mm

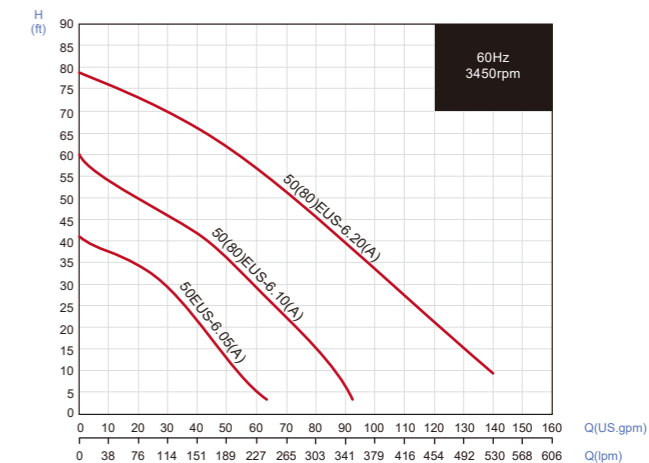


Parts and Material List

No.	Part	Material
1	Cable	H07RN-F /SJTOW/STOW
2	Handle	Nylon 6
3	Motor Cover	ADC 12
4	Bracket	Steel
5	Motor Housing + Stator	ADC12+Steel
6	Shaft with Rotor	AISI 410
7	Oil Chamber	0.5~1HP : ASTM A48 Class 30 2HP : ASTM A356
8	Mechanical Seal	Upper : CA/CE Lower : SIC/SIC
11	Impeller	Hytel
12	Pump Casing	ASTM A48 Class 30
15-1	Upper Bearing	NTN/TPI
15-2	Lower Bearing	NTN/TPI
16	Strainer	PVC
28	Agitator	SMF5030

TPI is a family brand of NTN group.

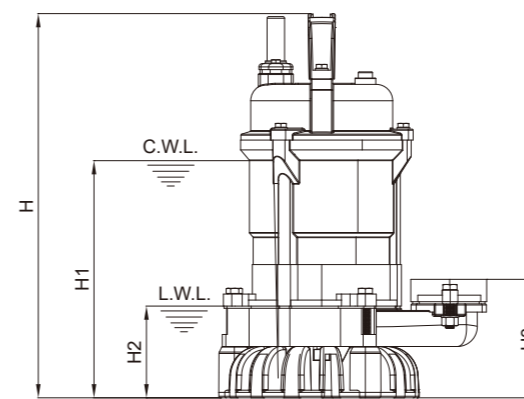
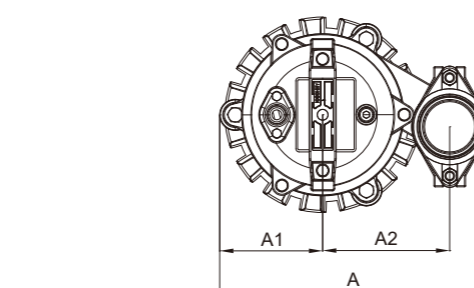
Performance Curve



All technical information is subject to change without notice.

Dimensions (mm)

Type	A	A1	A2	H	H1	H2	H3
50EUS-6.05	243	94	117	352	200	84	110
50(80)EUS-6.10	279	94	133	377	225	84	121
50(80)EUS-6.20	313	107	155	464	308	94	130



50EUS-6.05