

LIGHTWEIGHT SUBMERSIBLE RESIDUE DEWATERING PUMP

EUSR

SERIES 50HZ



Features

- Submersible single-phase portable residue dewatering pump
- Rubber lined base plate protects the floor surface from scratching
- The wear parts are made of abrasion-resistant materials
- Discharge direction is selectable between vertical and horizontal
- Removal of residual water down to 3mm

Applications

- Residential, commercial, industrial dewatering and site drainage
- Construction sites and civil engineering projects
- Basement, parking lots, removing residue water

Data Chart

Type	Output		Discharge	F.L.A.		Rated		Maximum		Weight(W/O Cable)	
	HP	KW		1ø 230V	3ø 400V	Head M	Cap. LPM	Head M	Cap. LPM	1ø-kg	3ø-kg
50EUSR-5.05	0.5	0.37	2"	3A	0.9A	10	75	14	140	11.3	11.3

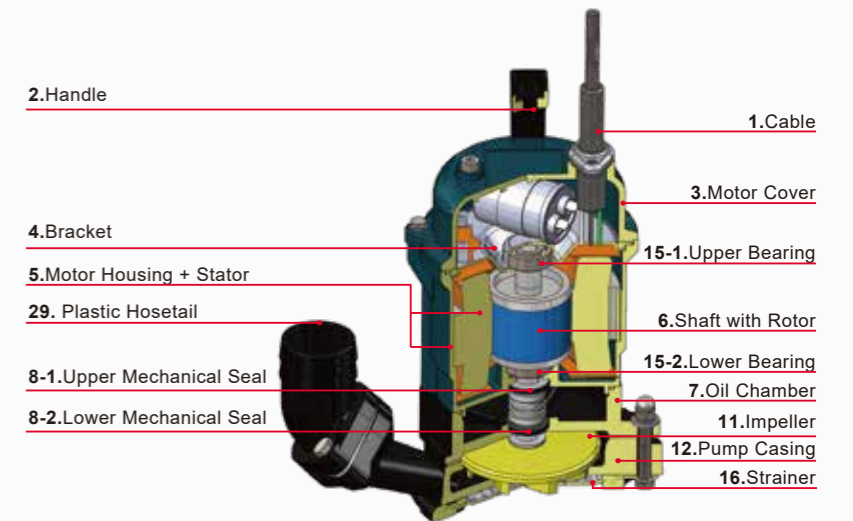
Specifications

	Liquid Temperature	0~40°C (32~104°F)
	Submersible depth	10M
Motor Part	Frequency	50Hz
	Pole	2 Pole
	Type	Dry Type
	Insulation	Class B
	Protection	IP 68
Pump Part	Protector	Auto-cut
	Bearing	Ball Type
	Mechanical seal	Double Mechanical Seal
	Impeller	Semi-open Impeller

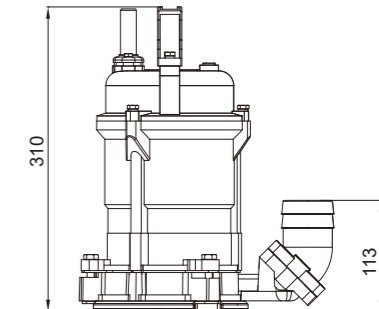
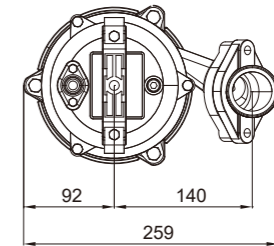
KLIXON

KLIXON protector provides protection against overheating and stalled rotor conditions including:

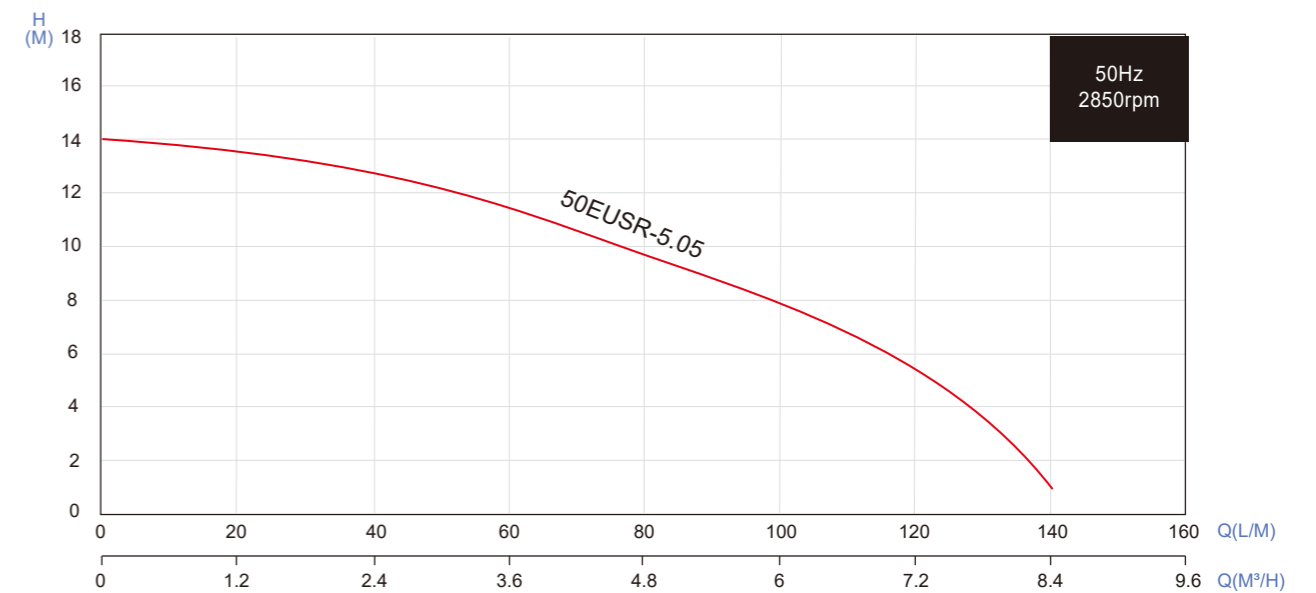
- Plugging duty
- Stalling or failure to start
- Heavy overloads
- High ambient
- Ventilation failures



Dimensions (mm) Pumping water down to minimum level of 3mm



Performance Curve



All technical information is subject to change without notice.