

**LIGHTWEIGHT SUBMERSIBLE
RESIDUE DEWATERING PUMP**

EUBR
EUBRS AISI 304
EUBRI AISI 316
SERIES 50HZ



Features

- High resistance to abrasive liquids
- Loss wax casting AISI 304 & AISI 316 for EUBRS and EUBRI
- Viton gasket, O-rings, and Lip seal for EUBRI (AISI 316)
- Compact & Lightweight design
- Puddle or residue drainage down to 3mm
- Efficient circumferential cooling for continuous duty

Applications

- Site drainage, mining, tunneling, public works, floods
- Cement industry, river intake, civil engineering projects
- Basement, parking lots, removing residue water (EUBR/EUBRS/EUBRI)
- Version "S" in AISI 304 and "I" in AISI 316 are suitable for light chemical liquids in drainage and general pumping applications

Data Chart

Type	Output		Discharge	F.L.A.		Rated		Maximum		Free Passage	Weight(W/O Cable)
	HP	kW		1 ϕ 230V	3 ϕ 400V	Head M	Cap. LPM	Head M	Cap. LPM		
50EUBR-5.05	0.5	0.37	2"	3A	0.9A	8	115	11	205	2	12
50EUBRS(I)-5.05	0.5	0.37	2"	3A	0.9A	8	130	11.5	230	2	14.6(13.8)
50EUBR-5.10	1	0.75	2"	6.3A	1.9A	10	225	17	320	2	14.5
50EUBRS(I)-5.10	1	0.75	2"	6A	1.9A	10	220	16	330	2	17.8(16.5)

Specifications

Liquid Temperature	0~40°C (32~104°F)	
Submersible depth	10M	
Motor Part	Frequency	50Hz
	Pole	2 Pole
	Type	Dry Type
	Insulation	Class B
	Protection	IP 68
	Protector	Auto-cut
Pump Part	Bearing	Ball Type
	Mechanical seal	Double Mechanical Seal
	Impeller	Semi-open Impeller



KLIXON
1PH Protector
(Thermal)



KLIXON
1PH Protector
(optional)
(overheat & overload)



KLIXON
3PH Protector
(overheat, overload,
phase failure)



DU PONT Hytrel[®]
Steel coated with
thermoplastic
polyester elastomer



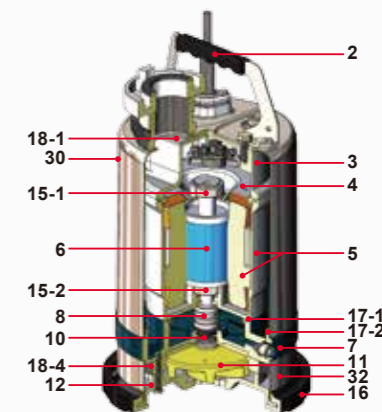
**Loss Wax Stainless
Steel AISI 304 & 316
EUBRS(I) Impeller**



**Viton gasket, O-rings,
and Lip seal
for EUBRI (AISI 316)**

KLIXON protector provides protection against overheating from all running and stalled rotor conditions including:

- Plugging duty
- Stalling or failure to start
- Heavy overloads
- High ambient
- Ventilation failures

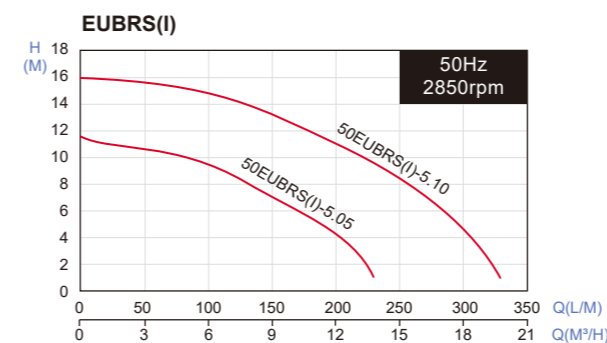
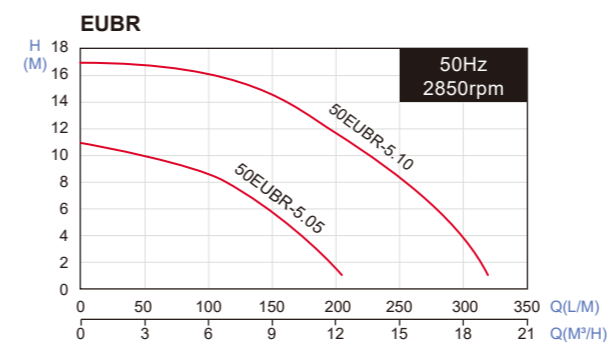


Parts and Material List

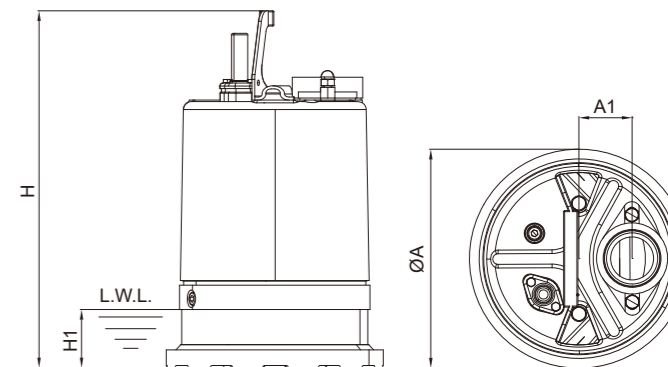
No.	Part	Material		
		EUBR	EUBRS	EUBRI
2	Handle	Steel+NBR	AISI 304+NBR	AISI 304+NBR
3	Motor Cover	ADC 12	AISI 304	AISI 316
4	Bracket	Steel	EN-GJL-200	EN-GJL-200
5	Motor Housing + Stator	ADC 12+Steel	AISI 304	AISI 316
6	Shaft with Rotor	AISI 410	AISI 304	AISI 316
7	Oil Chamber	ADC 12	AISI 304	AISI 316
8	Mechanical Seal	CA/CE+SIC/SIC		
10	Lip Seal	NBR	NBR	VITON
11	Impeller	Hytrel	AISI 304	AISI 316
12	Pump Casing	EN-GJL-200	AISI 304	AISI 316
15-1	Upper Bearing	NTN/TPI		
15-2	Lower Bearing	NTN/TPI		
16	Strainer	NBR	EPDM	EPDM
17-1	O-ring	NBR	NBR	VITON
17-2	O-ring	NBR	NBR	VITON
18-1	Gasket	NBR	EPDM	VITON
18-4	Volute Liner	NBR	EPDM	EPDM
30	Outer Housing	AISI 304	AISI 304	AISI 316
32	Pump Housing Ring	AISI 304	AISI 304	AISI 316

TPI is a family brand of NTN group.

Performance Curve



All technical information is subject to change without notice.



50EUBR-5.05-5.10

Dimensions (mm)

Type	A	A1	H	H1
50EUBR-5.05	214	52	347	52
50EUBRS(I)-5.05	184	52	345	52(50)
50EUBR-5.10	214	52	372	52
50EUBRS(I)-5.10	184	52	370	52(50)