

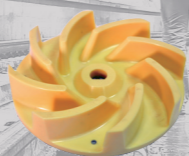
**LIGHTWEIGHT SUBMERSIBLE DEWATERING PUMP**

**EUB**  
**EUBS AISI 304**  
**EUBI AISI 316**

**SERIES 50HZ**



EUB with Flap Valve



**DU PONT Hytrel®**  
Steel coated with thermoplastic polyester elastomer



Loss Wax Stainless Steel AISI 304 & 316 EUBS(I) Impeller



Flap valve



Viton gasket, O-rings, and Lip seal for EUBI (AISI 316)

**Features**

- High resistance to abrasive liquids
- Loss wax casting AISI 304 and AISI 316 for EUBS and EUBI
- Viton gasket, O-rings, and Lip seal for EUBI (AISI 316)
- Compact & Lightweight design
- Efficient circumferential cooling for continuous duty
- Low suction device with non-return flap valve, capable to keep the water within pump and pipe without much flowback

**Applications**

- Site drainage, mining, tunneling, public works, floods
- Cement industry, river intake, civil engineering projects
- Version "S" in AISI 304 and "I" in AISI 316 are suitable for light chemical liquids in drainage and general pumping applications

**Data Chart**

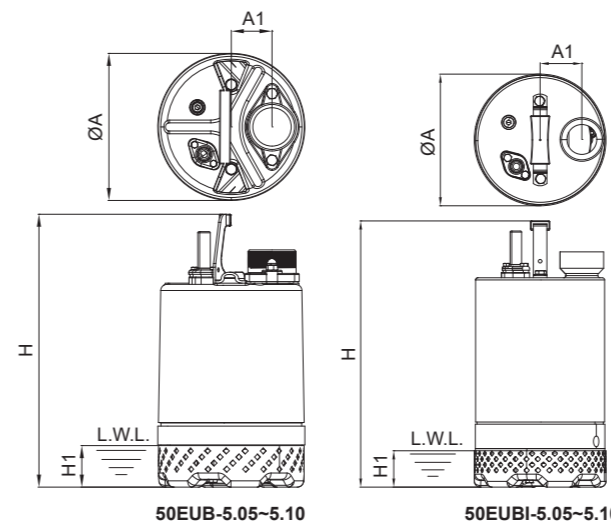
Type	Output		Discharge	F.L.A.		Rated		Maximum		Free Passage	Weight(W/O Cable)	
	HP	kW		1ø 230V	3ø 400V	Head M	Cap. LPM	Head M	Cap. LPM		mm	1ø-kg
50EUB-5.05	0.5	0.37	2"	3A	0.9A	8	125	10.5	225	6	11.3	11.3
50EUBS(I)-5.05	0.5	0.37	2"	3A	0.9A	8	125	10.5	225	6	14.1(13.8)	14.1(13.8)
50EUB-5.10	1	0.75	2"	6A	1.9A	10	225	16.5	345	6	13.7	13.7
50EUBS(I)-5.10	1	0.75	2"	6A	1.9A	10	205	15.5	330	6	17.2(16.7)	17.2(16.7)
50(80)EUB-5.20	2	1.5	2"(3")	12A	3.5A	11	275	19.5	470	6	21.1	21.1
50(80)EUBS-5.20	2	1.5	2"(3")	12A	3.5A	11	215	18	470	6	25	25

» Float switch is optional for above pump in single phase. » FV identifies the pump with flap valve.

**Specifications**

Liquid Temperature	0~40°C (32~104°F)	
Submersible depth	10M	
<b>Motor Part</b>	Frequency	50Hz
	Pole	2 Pole
	Type	Dry Type
	Insulation	0.5~1HP:Class B ; 2HP:Class F
	Protection	IP 68
	Protector	Auto-cut
<b>Pump Part</b>	Bearing	Ball Type
	Mechanical seal	Double Mechanical Seal
	Impeller	Semi-open Impeller

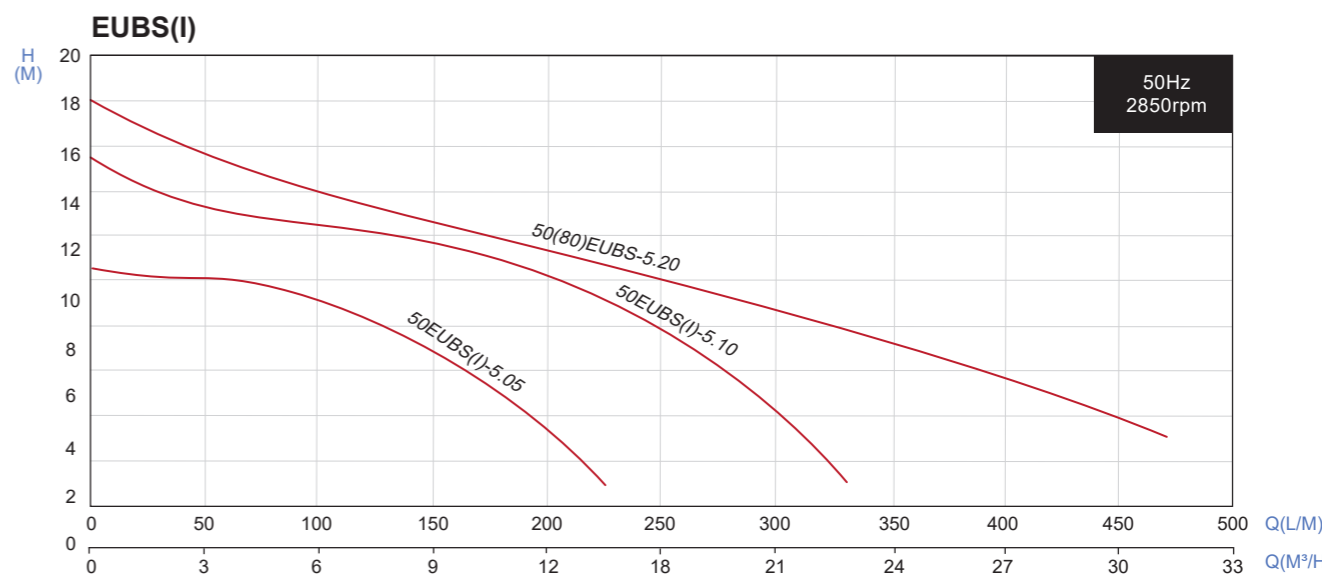
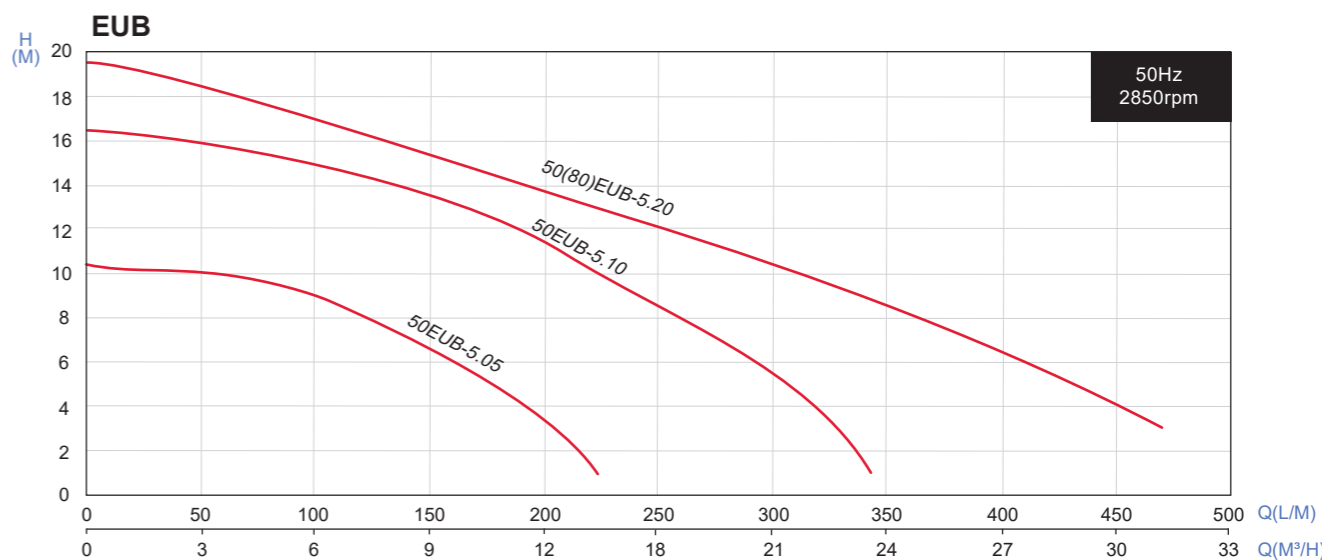
**Section View**



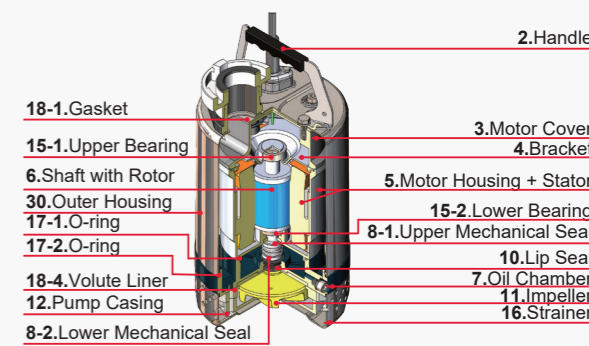
**Dimensions (mm)**

Type	A	A1	H	H1
50EUB-5.05	188	52	345	53
50EUBS(I)-5.05	188(184)	52	345	52
50EUB-5.10	188	52	370	53
50EUBS(I)-5.10	188(184)	52	370	52
50(80)EUB-5.20	225	52	474	81
50(80)EUBS-5.20	225	52	455	81

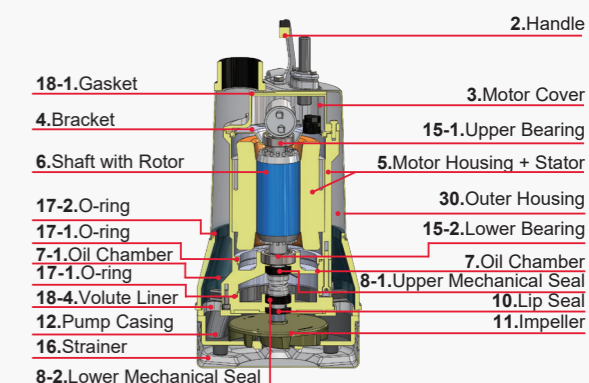
**Performance Curve**



All technical information is subject to change without notice.



50EUB(S,I)-5.05-10



50EUB-5.20