

LIGHTWEIGHT SUBMERSIBLE DEWATERING PUMP EUB-M 10~20HP SERIES 50HZ



High Chrome Steel Closed Impeller



Expelling solid design on the back of the impeller

Features

- Closed impeller design made of High Chrome Steel
- High resistance to abrasive liquids
- Stainless Steel outer casing & strainer
- EKK Eagle Burgmann double mechanical seal CA/CE & SIC/SIC
- Heat Treated Stainless Steel Shaft in AISI 410/420
- Efficient circumferential cooling for continuous duty

Applications

- Site drainage, mining, tunneling, public works, floods
- Cement industry, river intake, civil engineering projects

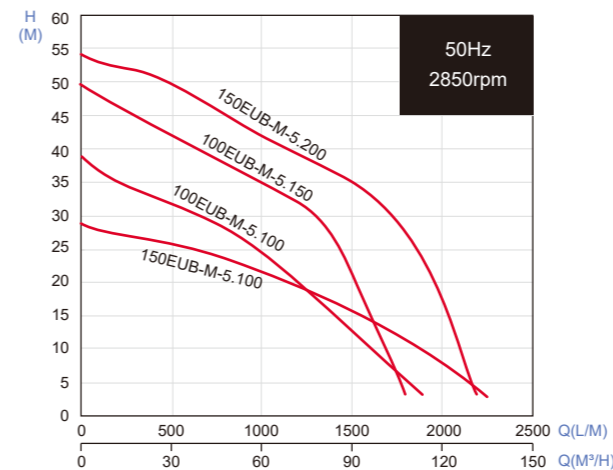
Specifications

Liquid Temperature		0~40°C (32~104°F)	
Submersible depth		20M	
Motor Part	Frequency	50Hz	
	Pole	2 Pole	
	Type	Dry Type	
	Insulation	10HP:Class F ;15~20HP:Class H	
	Protection	IP 68	
Pump Part	Protector	Auto-Cut	
	Bearing	Ball Type	
	Mechanical seal	Double Mechanical Seal	
	Impeller	Closed Impeller	

Data Chart

Type	Output		Discharge	F.L.A.		Rated		Maximum		Free Passage	Weight(W/O Cable)
	HP	kW		1ø 230V	3ø 400V	Head M	Cap. LPM	Head M	Cap. LPM		
100EUB-M-5.100	10	7.5	4"	-	16A	25	980	39	1900	10	69
150EUB-M-5.100	10	7.5	6"	-	16A	15	1550	29	2250	10	70
100EUB-M-5.150	15	11	4"	-	22A	35	1000	50	1800	10	104
150EUB-M-5.200	20	15	6"	-	27A	35	1500	54	2200	10	112

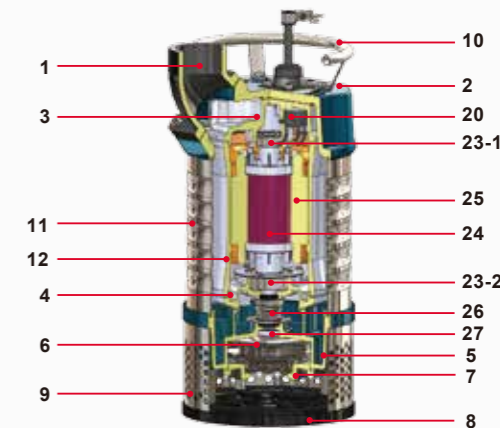
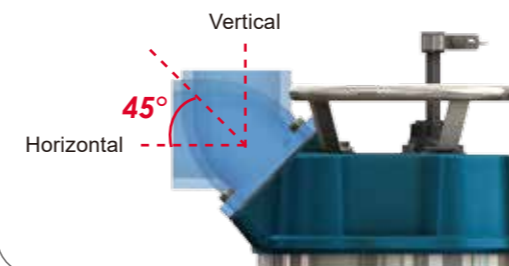
Performance Curve



All technical information is subject to change without notice.

Standard Discharge Elbow

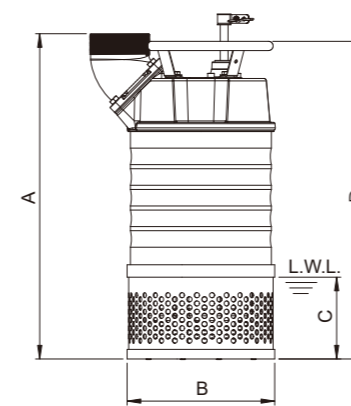
45° Elbow Bend to Select Discharge Direction



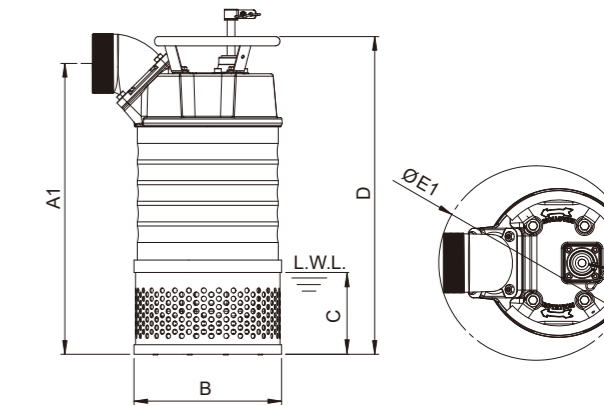
Parts and Material List

No.	Part	Material
1	Discharge	AISI7Mg
2	Upper Cover	AISI7Mg
3	Motor Cover	AISI7Mg
4	Lower Bearing Bracket	EN-GJL-200
5	Pump Casing	EN-GJL-200 (10HP) ; EN-GJS-700 (15~20HP)
6	Impeller	High Chrome Steel
7	Suction Plate	EN-GJS-700 (10HP)
7-1	Seal Housing	AISI7Mg / NBR (15~20HP)
8	Base Plate	AISI7Mg
9	Strainer	AISI 304
10	Handle	AISI 304
11	Outer Casing	AISI 304
12	Motor Frame	AISI7Mg
20	Protector	YAMADA
23-1	Upper Bearing	NTN/TPI
23-2	Lower Bearing	NTN/TPI
24	Rotor and Shaft	AISI 410 (10HP) ; AISI 420 (15~20HP)
25	Stator	
26	Mechanical Seal	Upper:CA/CE Lower:SIC/SIC
27	Lip Seal	NBR

TPI is a family brand of NTN group.



VERTICAL DISCHARGE MODE



HORIZONTAL DISCHARGE MODE

Dimensions (mm)

Type	A	A1	B	C	D	E	E1	F
100EUB-M-5.100	630	564	286	159	616	360	377	158
150EUB-M-5.100	637	579	286	159	616	390	389	173
100EUB-M-5.150	721	655	286	151	712	403	420	181
150EUB-M-5.200	730	671	286	151	712	423	435	201