

Semi-open Impeller



Bottom view of grinder



Cutter Set
AISI 440C / HRC55-60



QG Guide Rail

Grinder Ability

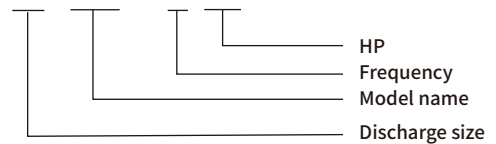


APPLICATIONS

- Wastewater treatment
- Sewage water
- Drainage of wastewater from individual residences, apartment buildings, recreational developments, motels
- Up to the 1,5 Kw. model ideal applications is :
Domestic and small residential complex pumping of sewage water. Particularly useful when pumping through small diameter pipes and whenever high pressure is needed.
- From 2,2 Kw.: suitable for commercial, residential and industrial sewage with suspended solids and fibrous material.

MODEL DESCRIPTION

32 EG - 5.15



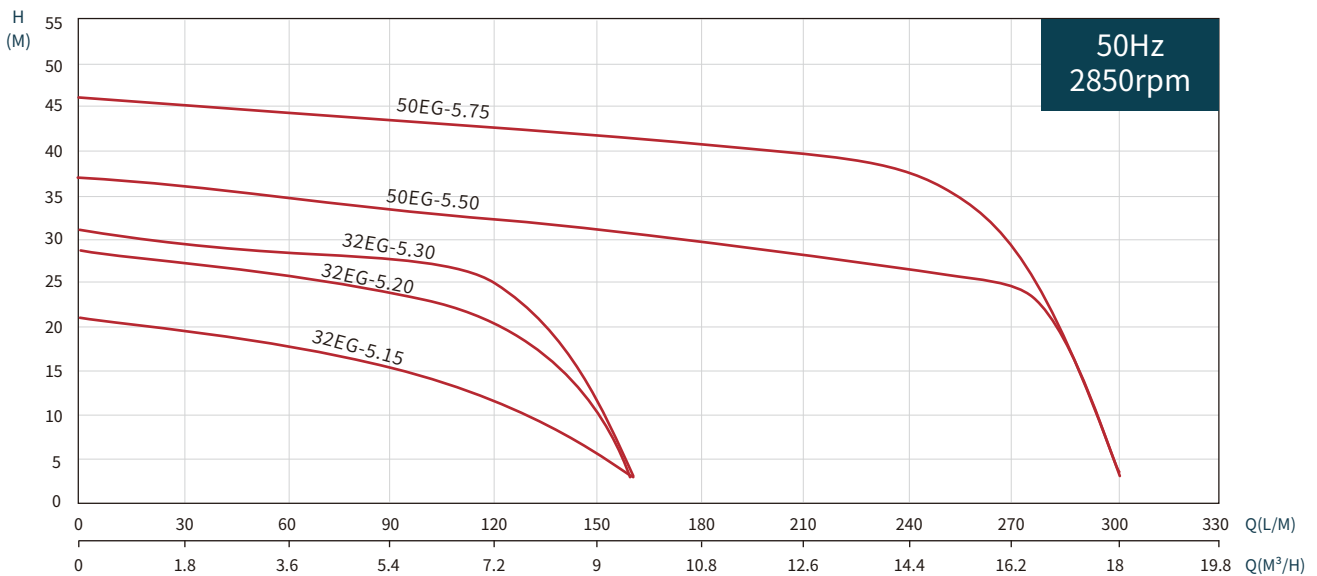
FEATURES

- Robust construction
- EKK Eagle Burgmann double mechanical seal CA/CE & SIC/SIC
- Radial grinder kit made in AISI 440C, corrosion resistant material and hardened to 55-60 HRC
- Specially designed high torque startup by centrifugal switch built-in for single phase motor
- Direct connect to pipe with horizontal discharge with inner thread
- Built-in run/start Capacitor(1 Phase only)

OPERATING CONDITIONS

Liquid temperature	0~40°C (32~104°F)
Submersible depth	10M
Frequency	50Hz
Pole	2 Pole
Motor type	Dry type
Insulation class	1.5~3HP: Class B 5~7.5HP: Class F
Protection	IP 68
Protector	Thermal protection
Bearing	Ball type
Mechanical seal	Double mechanical seal
Impeller	Semi-open impeller

PERFORMANCE CURVES

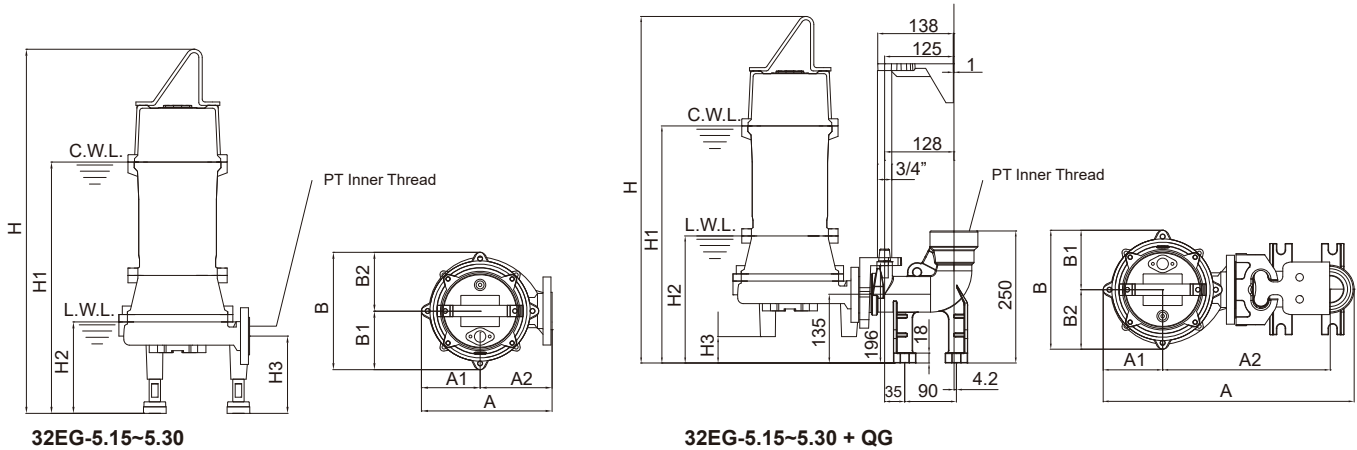


PERFORMANCE

MODEL	OUTPUT		DISCHARGE Inch	Q(lpm)	H(m)												
	HP	kW			0	30	60	90	120	150	180	210	240	270			
32EG-5.15	1.5	1.1	1-1/4"	0	1.8	3.6	5.4	7.2	9.0	10.8	12.6	14.4	16.2	-	-	-	-
32EG-5.20	2	1.5	1-1/4"	21.0	19.6	17.9	15.4	11.6	5.6	-	-	-	-	-	-	-	-
32EG-5.30	3	2.2	1-1/4"	28.3	27.2	25.4	23.9	20.5	9.8	-	-	-	-	-	-	-	-
50EG-5.50	5	3.7	2"	30.9	29.4	28.4	28.1	24.9	11.2	-	-	-	-	-	-	-	-
50EG-5.75	7.5	5.5	2"	37.0	36.0	34.8	33.6	32.3	31.0	29.7	28.3	26.6	24.5	-	-	-	-
				46.0	45.5	44.5	44.0	43.0	42.0	41.0	40.0	37.7	29.2	-	-	-	-

- » QG Guide rail systems for easy-out/easy-in plumbing is optional for 1.5~7.5HP.
- » All single-phase pumps can be equipped with float switch upon request.

DIMENSIONS(mm)



TYPE	A	A1	A2	B	B1
32EG-5.15(QG)	230(445)	102	128(300)	206	103
32EG-5.20(QG)	230(445)	102	128(300)	206	103
32EG-5.30(QG)	230(445)	102	128(300)	206	103
50EG-5.50(QG)	283(500)	119	164(337.3)	239	114
50EG-5.75(QG)	283(500)	119	164(337.3)	239	114

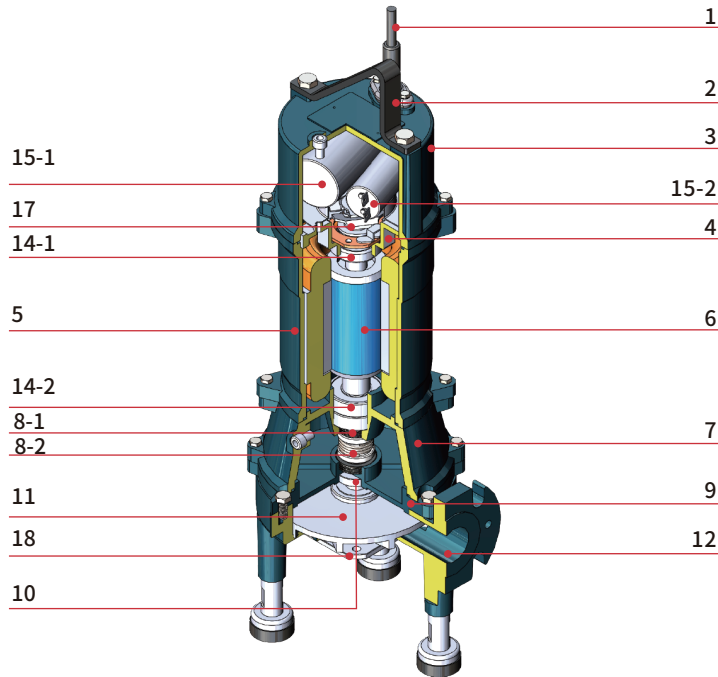
TYPE	B2	H	H1	H2	H3
32EG-5.15(QG)	103	640(630)	445(432)	160(150)	135(50)
32EG-5.20(QG)	103	640(630)	445(432)	160(150)	135(50)
32EG-5.30(QG)	103	680(670)	485(472)	160(150)	135(50)
50EG-5.50(QG)	125	669(637)	509(477)	186(154)	151(29)
50EG-5.75(QG)	125	709(677)	549(517)	186(154)	151(29)

» (QG) identifies EG pump with QG Q.D.C.

SPECIFICATIONS

Model	Output		Discharge	F.L.A.		Rated		Maximum		Weight(W/O Cable)	
	HP	kW	Inch	1ø 230V	3ø 400V	Head m	Cap. lpm	Head m	Cap. lpm	1ø-kg	3ø-kg
32EG-5.15	1.5	1.1	1-1/4"	9.4A	3.3A	15.5	90	21	160	29.4	29.4
32EG-5.20	2	1.5	1-1/4"	11.5A	4.5A	23	100	28.5	160	32	32
32EG-5.30	3	2.2	1-1/4"	-	4.7A	25	120	31	160	-	33.6
50EG-5.50	5	3.7	2"	-	8.7A	26	250	37	300	-	41.2
50EG-5.75	7.5	5.5	2"	-	12.5A	36	250	46	300	-	46.2

PARTS AND MATERIALS LIST



No.	PART	MATERIAL
1	Cable	H07RN-F/SJTOW/STOW
2	Handle	SS41
3	Motor cover	EN-GJL-200
4	Bracket	EN-GJL-200
5	Motor housing	EN-GJL-200
6	Shaft with rotor	AISI 410
7	Oil chamber	EN-GJL-200
8-1	Mechanical seal	Upper: CA/CE
8-2		Lower: SIC/SIC
9	Seal housing	EN-GJL-200
10	Lip Seal	NBR
11	Impeller	EN-GJL-200
12	Pump casing	EN-GJL-200
14-1	Upper bearing	NTN/TPI
14-2	Lower bearing	NTN/TPI
15-1	Run capacitor	1 Phase only
15-2	Start capacitor	1 Phase only
17	Centrifugal switch	1 Phase only
18	cutter set	AISI 440C

All technical information is subject to change without notice.