

SUBMERSIBLE DEWATERING PUMP

EDW

SERIES 50HZ



High Efficiency Closed Impeller



Chromium nickel material
Excellent against corrosion
Expelling solid design
on the back of the impeller

Features

- Efficient circumferential cooling for continuous duty
- Dry motor design with thermal auto-cut protector, protects motor from overheating
- Robust cable entry with epoxy potted sealing and strain-relief removes the risk of leakage into motor
- Ni Chrome Steel impeller for abrasive liquids
- In-line installation applicable by replacing strainer with a check valve or adapter flange
- Double mechanical seal and lip seal to ensure long life operation

Applications

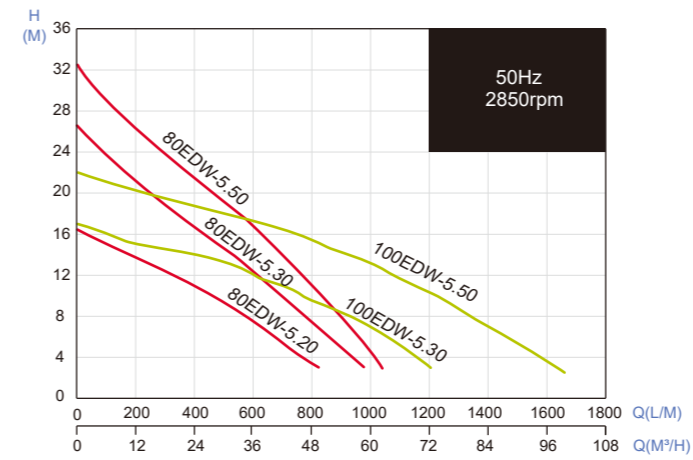
- Agriculture industry: irrigation and underground water
- Aquaculture industry: drainage and water supply of fresh water
- Extraction of water from rivers, lakes and reservoirs
- Landscape use and horticulture irrigation related operation

Data Chart

Type	Output		Discharge Inch	F.L.A.		Rated		Maximum		Free Passage mm	Weight(W/O Cable)	
	HP	kW		1ø 230V	3ø 400V	Head M	Cap. LPM	Head M	Cap. LPM		1ø-kg	3ø-kg
80EDW-5.20(CH)	2	1.5	3"	11A	3.8A	9.5	500	16.4	820	10	45.2	44.2
80EDW-5.30(CH)	3	2.2	3"	15A	5.7A	14.5	500	26.5	980	10	46.6	45.6
100EDW-5.30(CH)	3	2.2	4"	15A	5.7A	9.5	800	17	1200	10	46.6	45.6
80EDW-5.50(CH)	5	3.7	3"	-	7.9A	21.5	400	32.4	1040	10	-	48.2
100EDW-5.50(CH)	5	3.7	4"	-	7.9A	12.5	1000	22	1680	10	-	48.2

» (CH) is optional for customized request model with high chrome enclosed impeller, heat treated ductile-iron suction plate and AISI 410 heat treated shaft

Performance Curve



All technical information is subject to change without notice.

Optional Accessories



Sacrificial anode
PEDW-SA-M10



Flange kits
3", 4" PEDW-FLK



Flange
3", 4" PEDW-FL



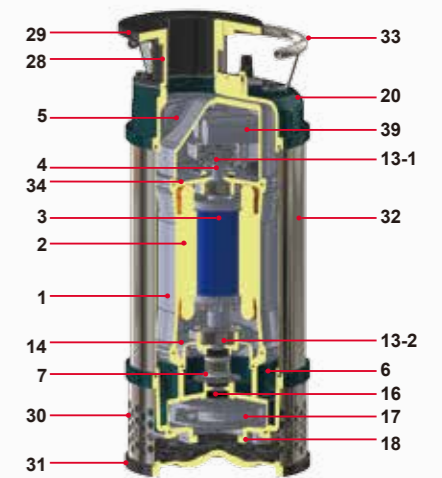
Adapter flange
3", 4" PEDW-ADF



Check valve
3", 4" PEDW-CKV



High chrome enclosed impeller
Heat treated ductile-iron suction plate
AISI 410 Heat treated shaft
(Optional for customized request)



Parts and Material List

No.	Part	Material
1	Motor Frame	EN-GJL-200
2	Stator	
3&4	Shaft with Rotor	AISI 304
5	Motor Cover	EN-GJL-200
6	Pump Casing	EN-GJL-200
7	Mechanical Seal	Upper: CA/CE Lower: SIC/SIC
13-1	Upper Bearing	NTN/TPI
13-2	Lower Bearing	NTN/TPI
14	Lower Bearing Bracket	EN-GJL-200
16	Shaft Sleeve	AISI 304
17	Impeller	Ni Chrome Steel
18	Suction Plate	EN-GJL-200
20	Upper Cover	EN-GJL-200
28	Discharge	EN-GJL-200
29	Flange	EN-GJL-200
30	Strainer	AISI 304
31	Base Plate	EN-GJL-200
32	Outer Case	AISI 304
33	Handle	AISI 304
34	Upper Bearing Bracket (1PH)	EN-GJL-200
39	Start&Run Capacitor	

TPI is a family brand of NTN group.

Dimensions (mm)

Type	A	A1	A2	H	H1	F	G
80EDW-5.20S	247	160	235	568	209	125	14.5
80EDW-5.20T	247	160	235	523	187	125	14.5
80EDW-5.30S	260	185	235	568	209	150	14.5
80EDW-5.30T	260	185	235	523	187	150	14.5
100EDW-5.30S	260	185	235	568	209	150	14.5
100EDW-5.30T	260	185	235	523	187	150	14.5
80EDW-5.50T	260	185	235	548	187	150	14.5
100EDW-5.50T	260	185	235	548	187	150	14.5

» S : Single Phase ; T : Three Phase

