

LIGHTWEIGHT SUBMERSIBLE DEWATERING PUMP

EUB
EUBS AISI 304
EUBI AISI 316

SERIES 50HZ



EUB with Flap Valve



DU PONT Hytrel®
Steel coated with thermoplastic polyester elastomer



Loss Wax Stainless Steel AISI 304 & 316 EUBS(I) Impeller



Flap valve



Viton gasket, O-rings, and Lip seal for EUBI (AISI 316)

Features

- High resistance to abrasive liquids
- Loss wax casting AISI 304 and AISI 316 for EUBS and EUBI
- Viton gasket, O-rings, and Lip seal for EUBI (AISI 316)
- Compact & Lightweight design
- Efficient circumferential cooling for continuous duty
- Low suction device with non-return flap valve, capable to keep the water within pump and pipe without much flowback

Applications

- Site drainage, mining, tunneling, public works, floods
- Cement industry, river intake, civil engineering projects
- Version "S" in AISI 304 and "I" in AISI 316 are suitable for light chemical liquids in drainage and general pumping applications

Data Chart

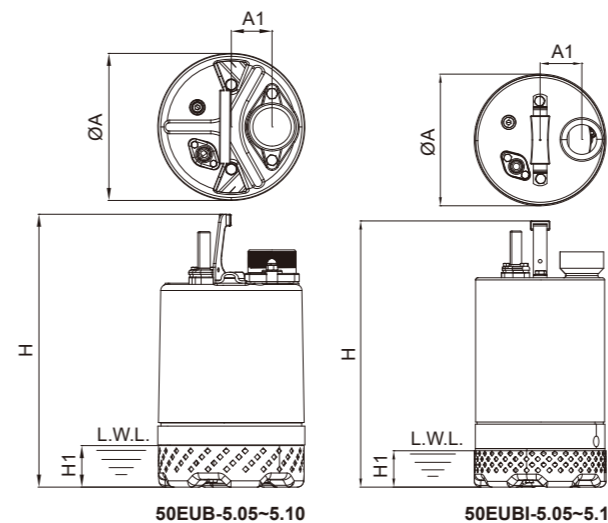
| Type | Output | | Discharge | F.L.A. | | Rated | | Maximum | | Free Passage | Weight(W/O Cable) | |
|-----------------|--------|------|-----------|---------|---------|--------|----------|---------|----------|--------------|-------------------|------------|
| | HP | kW | | 1ø 230V | 3ø 400V | Head M | Cap. LPM | Head M | Cap. LPM | | mm | 1ø-kg |
| 50EUB-5.05 | 0.5 | 0.37 | 2" | 3A | 0.9A | 8 | 125 | 10.5 | 225 | 6 | 11.3 | 11.3 |
| 50EUBS(I)-5.05 | 0.5 | 0.37 | 2" | 3A | 0.9A | 8 | 125 | 10.5 | 225 | 6 | 14.1(13.8) | 14.1(13.8) |
| 50EUB-5.10 | 1 | 0.75 | 2" | 6A | 1.9A | 10 | 225 | 16.5 | 345 | 6 | 13.7 | 13.7 |
| 50EUBS(I)-5.10 | 1 | 0.75 | 2" | 6A | 1.9A | 10 | 205 | 15.5 | 330 | 6 | 17.2(16.7) | 17.2(16.7) |
| 50(80)EUB-5.20 | 2 | 1.5 | 2"(3") | 12A | 3.5A | 11 | 275 | 19.5 | 470 | 6 | 21.1 | 21.1 |
| 50(80)EUBS-5.20 | 2 | 1.5 | 2"(3") | 12A | 3.5A | 11 | 215 | 18 | 470 | 6 | 25 | 25 |

» Float switch is optional for above pump in single phase.

Specifications

| | | |
|--------------------|-------------------|-------------------------------|
| Liquid Temperature | 0~40°C (32~104°F) | |
| Submersible depth | 10M | |
| Motor Part | Frequency | 50Hz |
| | Pole | 2 Pole |
| | Type | Dry Type |
| | Insulation | 0.5~1HP:Class B ; 2HP:Class F |
| | Protection | IP 68 |
| | Protector | Auto-cut |
| Pump Part | Bearing | Ball Type |
| | Mechanical seal | Double Mechanical Seal |
| | Impeller | Semi-open Impeller |

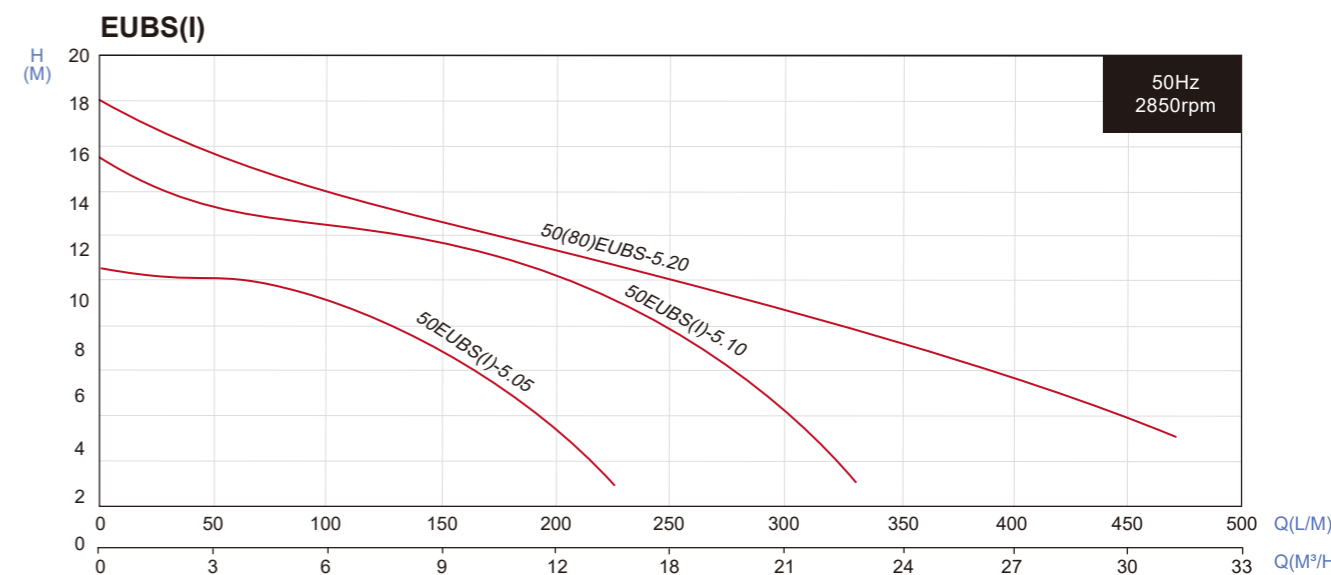
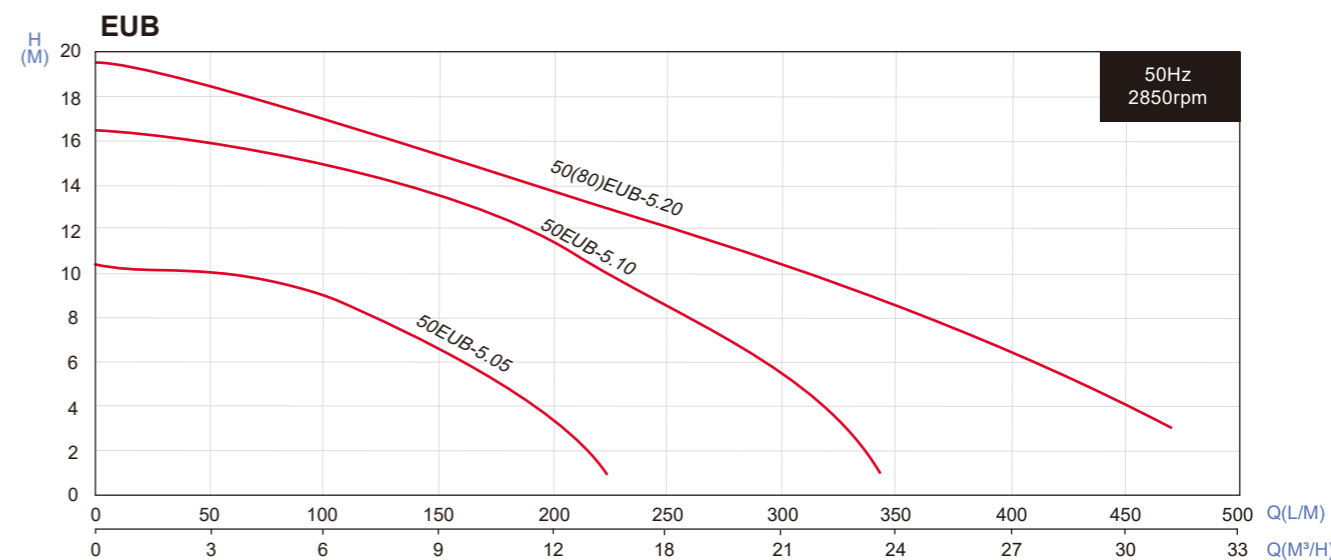
Section View



Dimensions (mm)

| Type | A | A1 | H | H1 |
|-----------------|----------|----|-----|----|
| 50EUB-5.05 | 188 | 52 | 345 | 53 |
| 50EUBS(I)-5.05 | 188(184) | 52 | 345 | 52 |
| 50EUB-5.10 | 188 | 52 | 370 | 53 |
| 50EUBS(I)-5.10 | 188(184) | 52 | 370 | 52 |
| 50(80)EUB-5.20 | 225 | 52 | 474 | 81 |
| 50(80)EUBS-5.20 | 225 | 52 | 455 | 81 |

Performance Curve



All technical information is subject to change without notice.

