

SUBMERSIBLE SLURRY PUMP

DIVA PRO

SERIES 50HZ



Features

- Double mechanical seal SIC/SIC with SIC/SIC in oil bath
- Heavy-duty with agitator mode
- Protected with Yamada overload protector
- Top flange discharge with semi-circumferential cooling for continuous duty

Applications

Choice of industries that face the most difficult pumping applications

- Lime slurries
- Mill scale
- Coal runoff sumps
- Wash down sumps
- Mining
- Tunneling
- Quarries

Data Chart

Type	Output		Discharge	F.L.A.	Rated		Maximum		Free Passage	Weight(W/O Cable)
	HP	kW			Head M	Cap. LPM	Head M	Cap. LPM		
100(150)DIVA PRO-5.100	10	7.5	4"(6")	16A	13	1500	19	2800	20	150
100(150)DIVA PRO-5.150	15	11	4"(6")	22A	15	2000	22	3700	20	175
150(200)DIVA PRO-5.200	20	15	6"(8")	31.9A	15	4000	22	6200	25	250
150(200)DIVA PRO-5.240	24	18	6"(8")	35.5A	21	3000	29	5000	25	360
150(200)DIVA PRO-5.300	30	22	6"(8")	44.6A	20	3800	35	5200	25	390
200DIVA PRO-5.300L	30	22	8"	44.6A	15	4900	26	6000	25	400

Specifications

Liquid Temperature	0~40°C (32~104°F)	
Submersible depth	20M	
Motor Part	Frequency	50Hz
	Pole	4 Pole
	Type	Dry Type
	Insulation	Class F
	Protection	IP 68
Pump Part	Protector	Auto-Cut
	Bearing	Ball Type
	Mechanical seal	Double Mechanical Seal
	Impeller	Semi-open Impeller

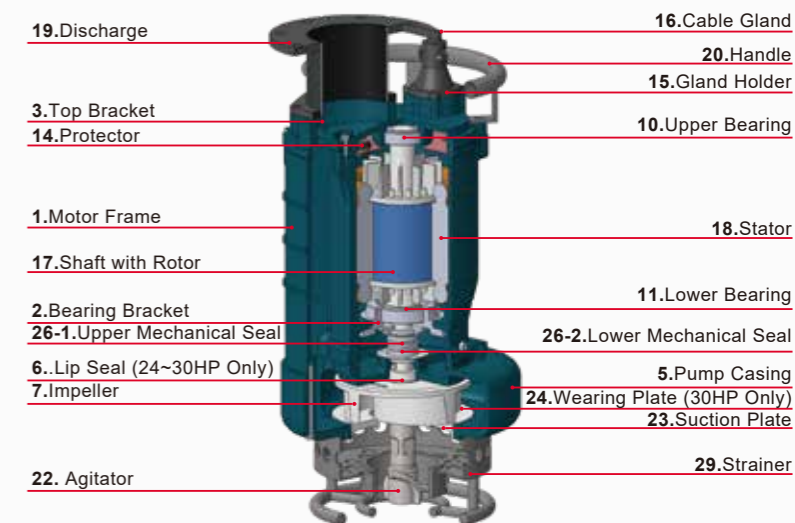


High Chrome Steel Impeller with Agitator



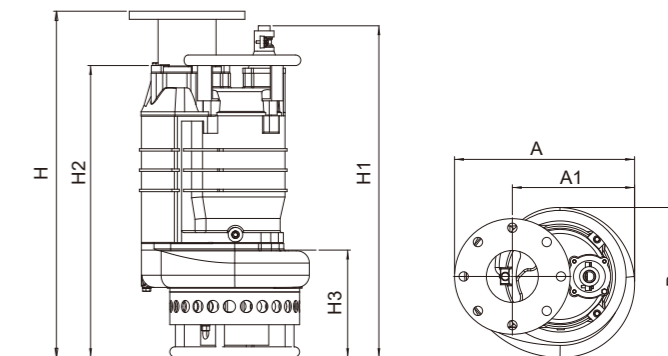
Semi-open Impeller

Section View



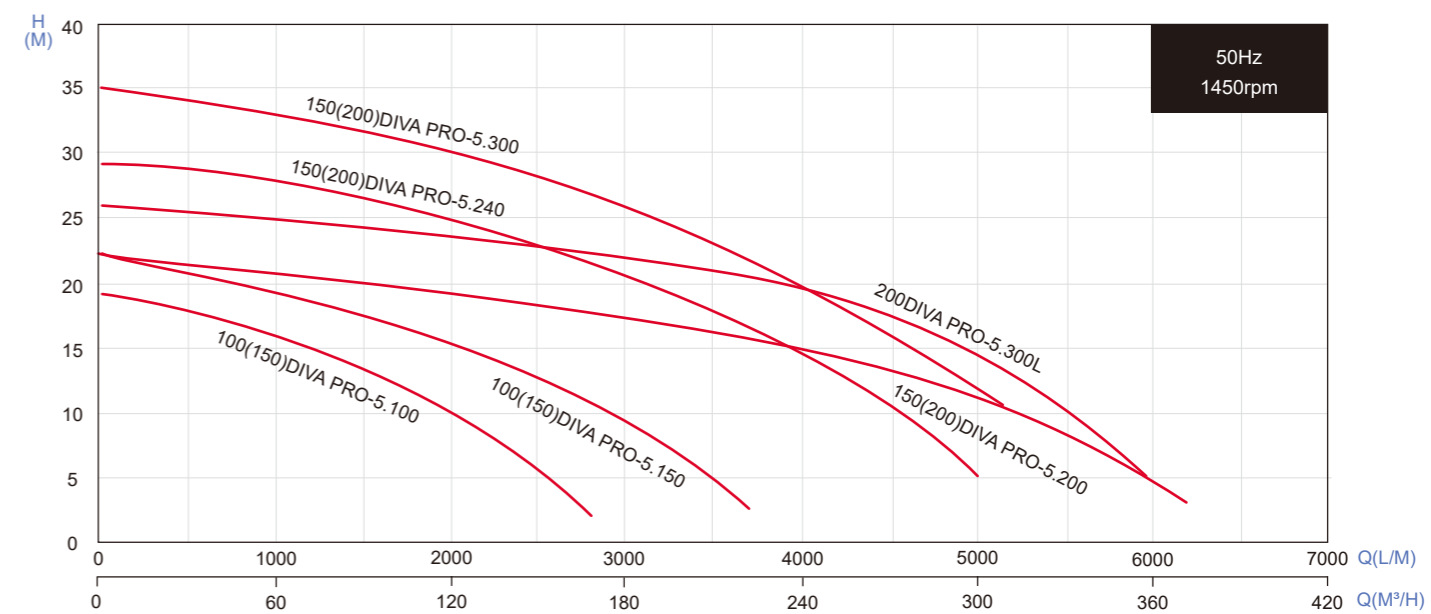
Dimensions (mm)

Type	A	A1	B	H	H1	H2	H3
100(150)DIVA PRO-5.100	445	305	380	855	820	720	265
100(150)DIVA PRO-5.150	445	305	400	855	820	720	265
150(200)DIVA PRO-5.200	520	350	400	1000	950	860	313
150(200)DIVA PRO-5.240	585	440	425	1160	1145	1010	330
150(200)DIVA PRO-5.300	585	440	530	1160	1145	1010	330
200DIVA PRO-5.300L	585	440	530	1160	1145	1010	330



100(150)DIVA PRO-5.100~5.300

Performance Curve



All technical information is subject to change without notice.