



SUBMERSIBLE GRINDER PUMP

ALLIGATOR

SERIES 60HZ



Grinder Ability



Features

- Robust construction
- Superior heat dissipation
- EKK Eagle Burgmann double mechanical seal CA/CE & SIC/SIC
- Semi-open impeller design prevents clogging by ground solids
- Radial grinder kit made in AISI 440C, corrosion resistant material and hardened to 55-60 HRC
- Specially designed high torque startup by centrifugal switch built-in for single phase motor
- Direct connect to pipe with horizontal discharge with inner thread
- Built-in Run/Start Capacitor(1 Phase only)

Specifications

Liquid Temperature	0~40°C (32~104°F)	
Submersible depth	10M	
Motor Part	Frequency	60Hz
	Pole	2 Pole
	Type	Dry Type
	Insulation	Class B
	Protection	IP 68
Pump Part	Protector	Auto-Cut
	Bearing	Ball Type
	Mechanical seal	Double Mechanical Seal
	Impeller	Semi-open Impeller

Applications

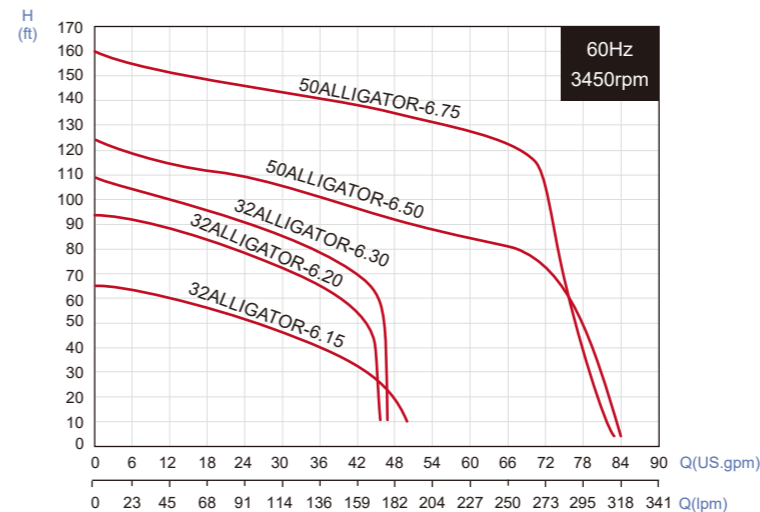
- Wastewater treatment
- Sewage water
- Drainage of wastewater from individual residences, apartment buildings, recreational developments, motels.
- Transferring wastewater, schools, federal, state and local parks
- To transfer various wastewater and sewage

Data Chart

Type	Output		Discharge	F.L.A.			Rated		Maximum		Weight(W/O Cable)	
	HP	kW		1ø 230V	3ø 230V	3ø 460V	Head FT	Cap. GPM	Head FT	Cap. GPM	1ø-kg	3ø-kg
32ALLIGATOR-6.15	1.5	1.1	1-1/4"	7.8A	6A	3A	46	30	65.5	50	29.4	29.4
32ALLIGATOR-6.20	2	1.5	1-1/4"	11A	8A	4A	72	30	94	46	32	32
32ALLIGATOR-6.30	3	2.2	1-1/4"	-	8.6A	4.3A	79	35	109	47	-	33.6
50ALLIGATOR-6.50	5	3.7	2"	-	14.8A	7.4A	85	60	124	84	-	41.2
50ALLIGATOR-6.75	7.5	5.5	2"	-	22.2A	11.1A	115	70	160	82.5	-	46.2

» QG Guide rail systems for easy-out/easy-in plumbing is optional for 1.5~7.5HP.
 » All single-phase pumps can be equipped with float switch upon request.

Performance Curve



All technical information is subject to change without notice.



Semi-open Impeller



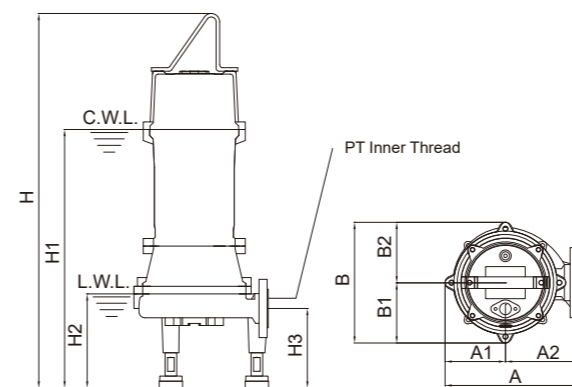
Bottom view of grinder



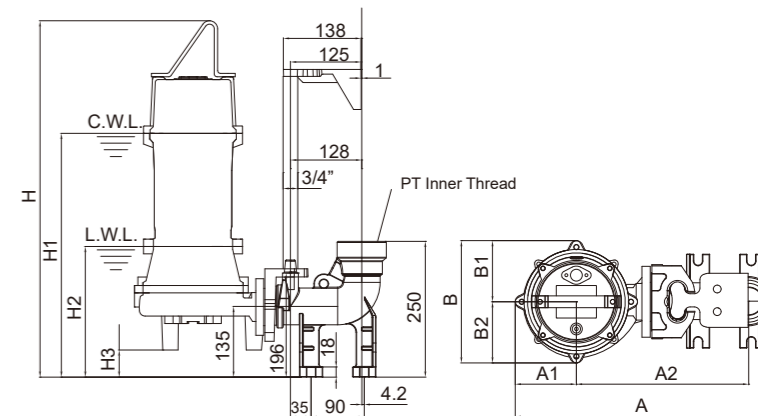
Grinder kit
AISI 440C / HRC55~60



QG Guide Rail



32ALLIGATOR-6.15~6.30

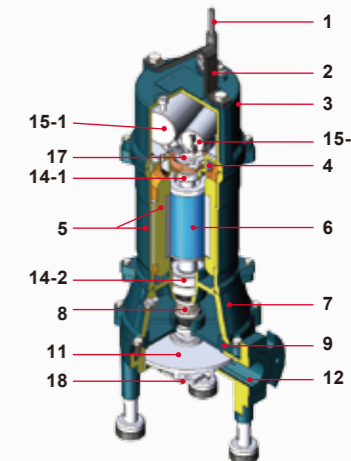


32ALLIGATOR-6.15~6.30 + QG

Dimensions (mm)

Type	A	A1	A2	B	B1	B2	H	H1	H2	H3
32ALLIGATOR-6.15(QG)	230(445)	102	128(300)	206	103	103	640(630)	445(432)	160(150)	135(50)
32ALLIGATOR-6.20(QG)	230(445)	102	128(300)	206	103	103	640(630)	445(432)	160(150)	135(50)
32ALLIGATOR-6.30(QG)	230(445)	102	128(300)	206	103	103	680(670)	485(472)	160(150)	135(50)
50ALLIGATOR-6.50(QG)	283(500)	119	164(337.3)	239	114	125	669(637)	509(477)	186(154)	151(29)
50ALLIGATOR-6.75(QG)	283(500)	119	164(337.3)	239	114	125	709(677)	549(517)	186(154)	151(29)

» (QG) identifies ALLIGATOR pump with QG Q.D.C.



Parts and Material List

No.	Part	Material
1	Cable	H07RN-F/SJTOW/STOW
2	Handle	ASTM A36
3	Motor Cover	ASTM A48 Class 30
4	Bracket	ASTM A48 Class 30
5	Motor Housing + Stator	ASTM A48 Class 30
6	Shaft with Rotor	AISI 410
7	Oil Chamber	ASTM A48 Class 30
8	Mechanical Seal	Upper: CA/CE Lower: SIC/SIC
9	Seal Housing	ASTM A48 Class 30
11	Impeller	ASTM A48 Class 30
12	Pump Casing	ASTM A48 Class 30
14-1	Upper Bearing	NTN/TPI
14-2	Lower Bearing	NTN/TPI
15-1	Run Capacitor	1 Phase only
15-2	Start Capacitor	1 Phase only
17	Centrifugal switch	1 Phase only
18	Cutter Set	AISI 440C

TPI is a family brand of NTN group.