

**LIGHTWEIGHT SUBMERSIBLE  
RESIDUE DEWATERING PUMP**

**EUBR**  
**EUBRS AISI 304**  
**EUBRI AISI 316**  
**SERIES 60HZ**



**Features**

- High resistance to abrasive liquids
- Loss wax casting AISI 304 & AISI 316 for EUBRS and EUBRI
- Viton gasket, O-rings, and Lip seal for EUBRI (AISI 316)
- Compact & Lightweight design
- Puddle or residue drainage down to 3mm
- Efficient circumferential cooling for continuous duty

**Applications**

- Site drainage, mining, tunneling, public works, floods
- Cement industry, river intake, civil engineering projects
- Basement, parking lots, removing residue water (EUBR/EUBRS/EUBRI)
- Version "S" in AISI 304 and "I" in AISI 316 are suitable for light chemical liquids in drainage and general pumping applications

**Data Chart**

Type	Output		Discharge	F.L.A.			Rated		Maximum		Free Passage	Weight(W/O Cable)	
	HP	kW		1ø 230V	3ø 230V	3ø 460V	Head FT	Cap. GPM	Head FT	Cap. LPM		mm	1ø-kg
50EUBR-6.05	0.5	0.37	2"	3.3A	2.2A	1.1A	26	30	36	56	2	12	12
50EUBRS(I)-6.05	0.5	0.37	2"	3.3A	2.2A	1.1A	26	30	36	56	2	14.6(13.8)	14.6(13.8)
50EUBR-6.10	1	0.75	2"	6A	4A	2A	46	40	65.5	75	2	14.5	14.5
50EUBRS(I)-6.10	1	0.75	2"	6A	4A	2A	46	40	65.5	75	2	17.8(16.5)	17.8(16.5)

**Specifications**

Liquid Temperature	0~40°C (32~104°F)	
Submersible depth	10M	
<b>Motor Part</b>	Frequency	60Hz
	Pole	2 Pole
	Type	Dry Type
	Insulation	Class B
	Protection	IP 68
<b>Pump Part</b>	Protector	Auto-cut
	Bearing	Ball Type
	Mechanical seal	Double Mechanical Seal
	Impeller	Semi-open Impeller



**KLIXON**  
1PH Protector  
(Thermal)



**KLIXON**  
1PH Protector  
(optional)  
(overheat & overload)



**KLIXON**  
3PH Protector  
(overheat, overload,  
phase failure)



**DU PONT Hytrel®**  
Steel coated with  
thermoplastic  
polyester elastomer



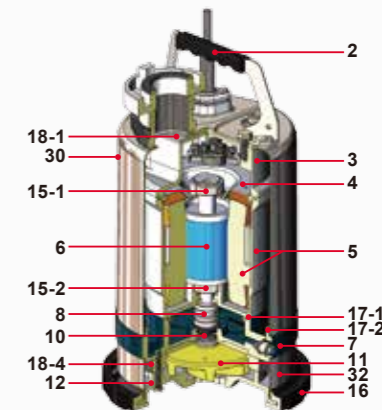
**Loss Wax Stainless  
Steel AISI 304 & 316  
EUBRS(I) Impeller**



**Viton gasket, O-rings,  
and Lip seal  
for EUBRI (AISI 316)**

**KLIXON protector provides protection against overheating from all running and stalled rotor conditions including:**

- Plugging duty
- Stalling or failure to start
- Heavy overloads
- High ambient
- Ventilation failures

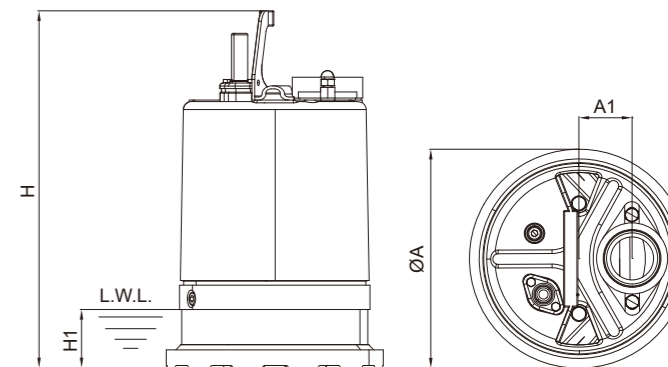
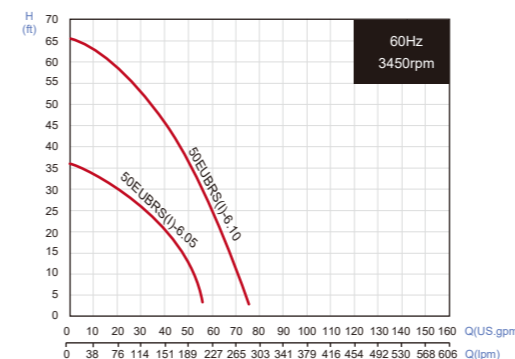
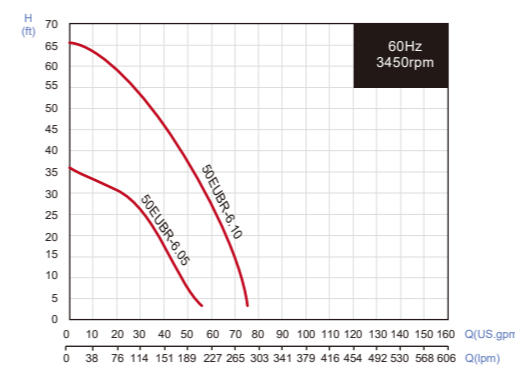


**Parts and Material List**

No.	Part	Material		
		EUBR	EUBRS	EUBRI
2	Handle	Steel+BUNA N	AISI 304+BUNA N	AISI 304+BUNA N
3	Motor Cover	ADC12	AISI 304	AISI 316
4	Bracket	Steel	ASTM A48 Class 30	ASTM A48 Class 30
5	Motor Housing + Stator	ADC 12+Steel	AISI 304	AISI 316
6	Shaft with Rotor	AISI 410	AISI 304	AISI 316
7	Oil Chamber	ADC12	AISI 304	AISI 316
8	Mechanical Seal	CA/CE+SIC/SIC		
10	Lip Seal	BUNA N	BUNA N	VITON
11	Impeller	Hytrel	AISI 304	AISI 316
12	Pump Casing	ASTM A48 Class 30	AISI 304	AISI 316
15-1	Upper Bearing	NTN/TPI		
15-2	Lower Bearing	NTN/TPI		
16	Strainer	BUNA N	EPDM	EPDM
17-1	O-ring	BUNA N	BUNA N	VITON
17-2	O-ring	BUNA N	BUNA N	VITON
18-1	Gasket	BUNA N	EPDM	VITON
18-4	Volute Liner	BUNA N	EPDM	EPDM
30	Outer Housing	AISI 304	AISI 304	AISI 316
32	Pump Housing Ring	AISI 304	AISI 304	AISI 316

TPI is a family brand of NTN group.

**Performance Curve**



50EUBR-6.05-6.10

**Dimensions (mm)**

Type	A	A1	H	H1
50EUBR-6.05	214	52	347	52
50EUBRS(I)-6.05	184	52	345	52(50)
50EUBR-6.10	214	52	372	52
50EUBRS(I)-6.10	184	52	370	52(50)

All technical information is subject to change without notice.